



LG COMMERCIAL LAUNDRY

STEEL CONTROL PANEL

REVERSIBLE DRYER DOOR

EASY SLIDING

INSTALLATION FLEXIBILITY

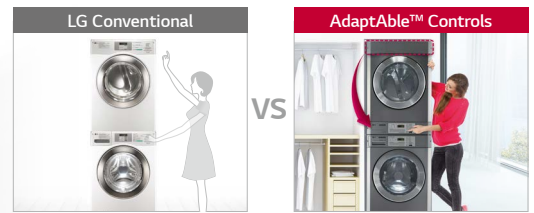
Install laundry appliances to meet your needs and your location, with side by side or stacked configurations. The units are easy to move and reinstall in a new location.



* Parts required for stacking are sold separately.

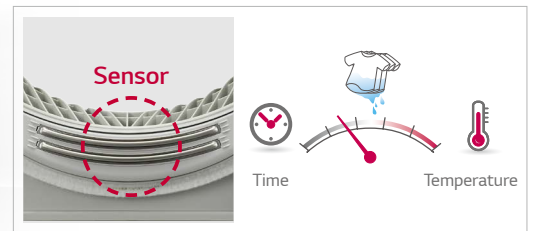
ADAPTABLE™ CONTROLS

Easy to reach AdaptAble™ controls let you save space without compromising capacity. The controls are always within reach and are versatile enough to meet your needs.



SENSOR DRY

The electrode sensor automatically monitors temperature and moisture in the clothes and adjusts final drying time for excellent drying performance. Of course, time dry is available, too.



EASY REPAIR SYSTEM

LG commercial laundry products are all front service accessible. Valuable service time will never be wasted gaining access to key service elements.



EASY PROGRAMMING

Intuitive programming controls allow operators to choose from a variety of functions and programs, including price, cycle time, cycle parameters, spin-speed and more, ensuring that all washing requirements are met.



GIANT-C DRYER



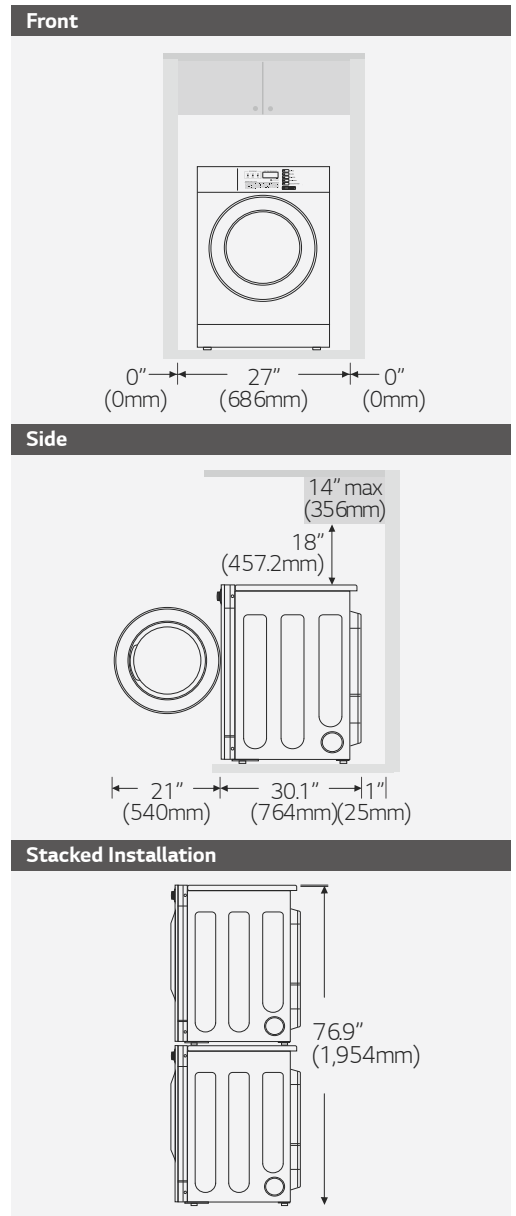
GIANT-C DRYER SPECIFICATIONS

		Gas RN1329**** / GDP1329**G**	Electric RV1329**** / GDP1329**E** / TD-V1329EA*
CYLINDER			
Drum Volume	cu.ft (ℓ)	7.3 (207)	7.3 (207)
Diameter	in. (mm)	26.1 (663)	26.1 (663)
Depth	in. (mm)	22.5 (570.6)	22.5 (570.6)
DIMENSIONS			
Product (WxHxD)	in	27 x 38.7 x 30.1	27 x 38.7 x 30.1
	mm	686 x 983 x 764	686 x 983 x 764
With Door Open	in. (mm)	49.8 (1,264)	49.8 (1,264)
Carton (WxHxD)	in	29.9 x 46.1 x 31.3	29.9 x 46.1 x 31.3
	mm	760 x 1,170 x 795	760 x 1,170 x 795
Weight (Product/Carton)	lb (kg)	130 (59) / 143 (65)	130 (59) / 143 (65)
RATING			
Electric Ratings	V/Hz/A	120/60/5	120 (240)/60/26
		220-240/50/2.4	220-240/50/22.5
		220/60/3	220/60/21
		-	240/50/19.5 ¹⁾
CONSUMPTION INDEX (PER CYCLE)			
Gas	W	5.81	-
Electricity	W	350	4,600-5,400
SYSTEM & CONTROL			
Heating Type		Gas (LNG/LPG) ²⁾	Electric
Type of Drying		Ventilation	Ventilation
Air Flow	CFM	160	160
Motor	KW	0.4 (120V/60Hz)	0.4 (120V/60Hz)
		0.3 (220-240V/50Hz)	0.3 (220-240V/50Hz)
		0.4 (220V/60Hz)	0.4 (220V/60Hz)
Gas Ratings	KW/BTU	5.8/20,000	-
Heating Element	W	-	120V/220V 5,400 230-240V 4,500 (Australia)
Program Duration in Minutes (Default)	min	45 (NA) / 50 (EU) / 45 (Australia)	45 (NA) / 50 (EU) / 45 (Australia)
CONNECTIONS			
Air Outlet Diameter	in. (mm)	4 (100)	4 (100)
Exhaust Airflow Diameter	in. (mm)	4 (100)	4 (100)
PROGRAMS			
Program List		High Temp	High Temp
		Med Temp	Med Temp
		Low Temp	Low Temp
		No Heat	No Heat
EXTERNAL FINISH			
Drum		Alcosta	Alcosta

* Dimensions and weights are approximate. * Design, features and specifications subject to change without notice.

* Some models may not be available for sale in certain countries. * Model name may vary by country.

1) 4,500W for some countries due to power limitation (e.g. Australia), 2) Gas type depends on country sales model.



PRODUCT IMAGE



Coin Type



Card / OPL Type



Coin Type



Card / OPL Type



Dryer & Dryer Stack Type (Coin, Card/OPL)

