



LG COMMERCIAL LAUNDRY

QUALIFIED ENERGY STAR®

TOP-MOUNTED DISPENSER

AUTO DOSING INTERFACE READY



GIANT-C WASHER

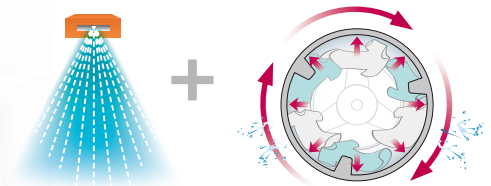
INVERTER DIRECT DRIVE™

Unlike the traditional belt and pulley system, the LG commercial laundry drum is directly attached to the motor providing superior durability and reliability. Fewer parts equals fewer repairs.



ATOMIZING SYSTEM

The Atomizing nozzle sprays fresh water onto the clothes and the door. This helps produce a rapid fill so clothes are soaked sooner and longer providing a better washing performance. It also cleans the door glass every time the water sprays on it, reducing your burden of cleaning any excess soap residue.



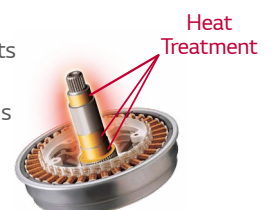
CUSTOMIZED CYCLES

Users can design their own cycles, selecting washing time, rinse time, water level, etc. and save up to 20 wash cycles to provide optimized washing performance.



MULTI HEAT TREATMENT

To ensure superior performance LG heat treats the shaft which connects our drums and motors. This protects against gradual wear and tear.



GIANT-C WASHER SPECIFICATIONS

		Non-Heater FH069FD** / GCWF1069***	Heater F*069FD*PS / WD-H069BD*S
CYLINDER			
Drum Volume	cu.ft (ℓ)	Giant-C [*] : 3.6 (102.8) / Giant-C Pro : 3.7 (105.6)	Giant-C [*] : 3.6 (102.8) / Giant-C Pro : 3.7 (105.6)
Diameter	in. (mm)	22.1 (560)	22.1 (560)
Depth	in. (mm)	16.5 (419.3)	16.5 (419.3)
DIMENSIONS			
Product (WxHxD)	in	27 x 38.7 x 30.2	27 x 38.7 x 30.2
	mm	686 x 983 x 767	686 x 983 x 767
With Door Open	in. (mm)	52.6 (1,337)	52.6 (1,337)
Carton (WxHxD)	in	29.7 x 44.4 x 31.3	29.7 x 44.4 x 31.3
	mm	755 x 1,127 x 795	755 x 1,127 x 795
Weight (Product/Carton)	lb (kg)	191.8 (87) / 211.6 (96)	191.8 (87) / 211.6 (96)
SPEED			
Wash	RPM	40-50	40-50
Extract (High Speed)	RPM	1,150	1,150
G-force	G	413	413
RATING			
Electric Ratings	V/Hz/A	120/60/5	-
		220-240/50/5	220-240/50/15-17.5
		220/60/5	-
*CONSUMPTION INDEX¹⁾			
Water	gal (ℓ)	13.2(50)	12(45.5)
Electricity	kW/hour	0.5	3.6-3.8
NOISE & CYCLE TIME			
Noise Level (Sound Power)	dB	Lower than 62	Lower than 62
Program Duration in Minutes (Default)	min	Giant-C [*] : 38 Giant-C Pro : 37	59 (60°C Course) ²⁾
SYSTEM & CONTROL			
Inverter Direct Drive Motor		O	O
Heating Element	W	-	3,200
Drain System		Pump drain	
PROGRAMS			
Program List	Hot	90°C (194°F)	
	Warm	75°C (167°F)	
	Cold	60°C (140°F)	
	Delicates	40°C (104°F)	
	Add Super Wash (Card & Coin)/ Custom PGM (OPL)	Cold * Custom PGM ³⁾	
EXTERNAL FINISH			
Drum		Stainless Steel	Stainless Steel
CIRCUIT PROTECTION			
PCB Fuse - Main Control Board	amps	12 (220-240V)	12 (220-240V)
PCB Fuse - Filter Assembly	amps	15	15

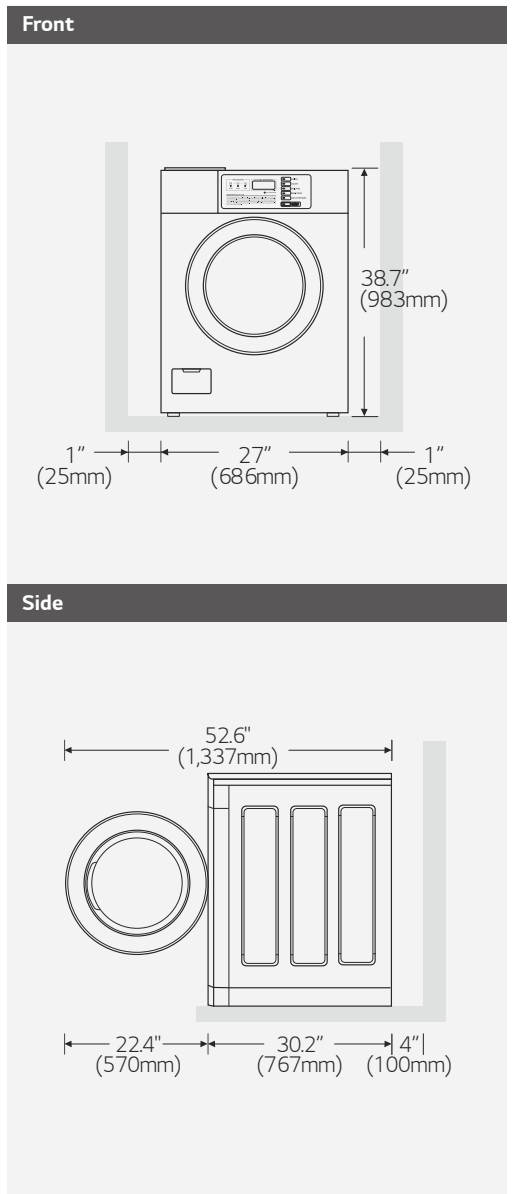
* Dimensions and weights are approximate. * Design, features and specifications subject to change without notice.

** Some models may not be available for sale in certain countries. * Model name may vary by country.

1) Without loading / Default water level(Non heater / Heater) : High / Mid

2) Washer detects water temperature and adjusts heating time automatically if hot water supply is available.

3) When you press button for 3 seconds, Cold cycle will be changed to Custom PGM. (Cold for coin model, Custom PGM for OPL model)



PRODUCT IMAGE



Coin Type



Card / OPL Type



Coin Type



Card / OPL Type



Washer & Dryer Stack Type (Coin, Card/OPL)

