

MDE/MDG28PD SUPER-CAPACITY DRYER



MICROPROCESSOR CONTROLS

- Provides simple programming options for owner: including adjustable cycle price, cycle time, diagnostics and vend count.
- Easy one-touch cycle selection for customers.



TURBOVENT™ DRYER TECHNOLOGY

- Additional blower wheel provides exceptional performance in long vents.
- High airflow reduces dry time.



PORCELAIN-ENAMEL TOP

- Durable finish for high-use environments.



CLOTHESPIN™ APP BY MAYTAG COMPATIBLE

- Customers will love how convenient it is to do their laundry with the new Clothespin™ app by Maytag.
- They can use their smartphones to pay for their laundry, remotely check for available washers and dryers, and receive a notification when their laundry cycles are complete.*



5-YEAR LIMITED WARRANTY

- All parts are covered for 5 years.**



*Subject to terms of use and privacy policy. Message and data rates may apply. In Canada, Maytag Connect 360™ compatible only.
**See maytagcommerciallaundry.com for complete warranty for details.



SIMPLE PROGRAMMING



FRONT ACCESS PANEL



ONE-TOUCH CYCLE SELECTION



MATCHING WASHER AVAILABLE



Visit maytagcommerciallaundry.com or call 800-662-3587

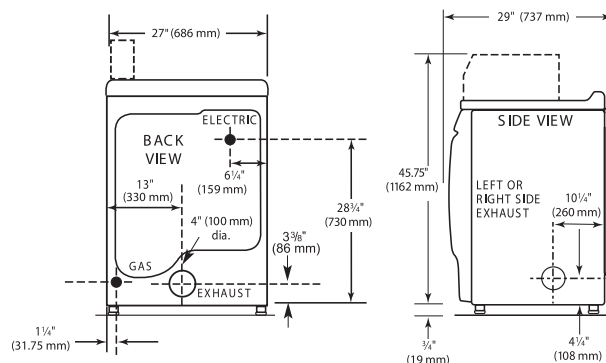
OUR COMMITMENT TO DEPENDABLE QUALITY

For well over 50 years, Maytag® Commercial Laundry has promised and delivered dependability. We create that quality by making durable washers and dryers, built to endure heavy use and last for years. We design our machines to perform reliably and to produce consistent results. Finally, we give our washers and dryers the power to do their jobs thoroughly, cleaning and drying laundry quickly and efficiently—and justifying the trust that has been placed in us for generations.

MAYTAG® SUPER-CAPACITY DRYER MICROPROCESSOR CONTROLS, COIN-DROP

| DRYER SPECIFICATIONS | |
|--|-------------------|
| MODEL | MDE/MDG28PD |
| MOTOR | |
| Single-phase, thermoprotected against overload, auto-reset | Yes |
| HP (kw) | 1/3 (.25) |
| Tumble speed—RPM | 50 ± 1 |
| CAPACITY | |
| Cu. ft. (liters) | 6.7 (190) |
| AIRFLOW | |
| Gas models—cfm (cmm) | 230 (6.5) |
| Electric models—cfm (cmm) | 215 (6.1) |
| SOUND LEVEL (export model only) | |
| Sound pressure level, Lpa (dbA) (Kpa: ± 10dbA) | 58 |
| ELECTRICAL REQUIREMENTS | |
| MDE model—voltage | 240V/60Hz |
| MDG model—voltage | 120V/60Hz |
| BREAKER/FUSE MIN. REQUIREMENTS | |
| MDE model—amps | 30 |
| MDG model—amps | 15 |
| ELECTRIC HEATING ELEMENT | |
| Domestic models—watts | 5,600 |
| Canadian models—watts | 5,250 |
| GAS RATING | |
| MDG model—BTU/hr. (kcal/hr.) | 24,000 (6,048) |
| EXHAUST DUCT DIAMETER—IN. (MM) | 4 (100)* |
| ELECTRONIC BURNER IGNITION | |
| MDG model | Yes |
| GAS INLET | |
| MDG model—in. | 3/8 N.P.T. |
| ADJUSTABLE LEVELING LEGS | Yes |
| APPROXIMATE WEIGHT | |
| Crated—lbs. (kg) electric/gas | 160 (73)/113 (74) |
| Uncrated—lbs. (kg) electric/gas | 147 (67)/150 (68) |
| DIMENSIONS | |
| Width—in. (mm) | 27 (686) |
| Depth—in. (mm) | 29 (737) |
| Height—in. (mm) | 45.75 (1,162)** |
| Door opening diameter—in. (mm) | 18.25 (464) |
| ADA-COMPLIANT WITHOUT OPTIONAL PEDESTAL | Yes |
| Optional pedestal adds: height—in. (mm) | 2.75 (70) |
| *Use 4" (100 mm) diameter rigid aluminum or galvanized steel duct. Never use plastic, non-metal or combustible duct. | |
| **Includes height of metercase. | |
| See specific instructions for proper installation. Because of continuous product improvement, Maytag reserves the right to change specifications without notice. | |

MDE/MDG28PD SUPER-CAPACITY DRYER



MAXIMUM EXHAUST DUCT LENGTH PER NUMBER OF TURNS

| Number Of 90° Turns | Rigid Metal Vent | |
|------------------------|--------------------------------|----------------------|
| | Box Hood and Louvered Style | Angled Hood Style |
| 0 | 135 ft. (41.2 m) | 129 ft. (39.3 m) |
| 1 | 125 ft. (38.1 m) | 119 ft. (36.3 m) |
| 2 | 115 ft. (35.1 m) | 109 ft. (33.2 m) |
| 3 | 106 ft. (32.3 m) | 100 ft. (30.5 m) |
| 4 | 98 ft. (29.9 m) | 92 ft. (28.0 m) |
| | Flexible Metal Vent | |
| | Box Hood and Louvered Style | Angled Hood Style |
| 0 | 76 ft. (23.2 m) | 62 ft. (18.9 m) |
| 1 | 71 ft. (21.6 m) | 57 ft. (17.4 m) |
| 2 | 67 ft. (20.4 m) | 53 ft. (16.2 m) |
| 3 | 65 ft. (19.8 m) | 51 ft. (15.6 m) |
| 4 | 63 ft. (19.2 m) | 49 ft. (14.9 m) |



5-YEAR LIMITED WARRANTY ALL PARTS COVERED

For a period from the date of original purchase through the time listed above, the designated parts that fail in normal commercial use will be repaired or replaced free of charge for the part itself, with the owner paying all other costs, including labor, transportation and customs duty. Chemical damage is excluded from all warranty coverage. See complete warranty for details.